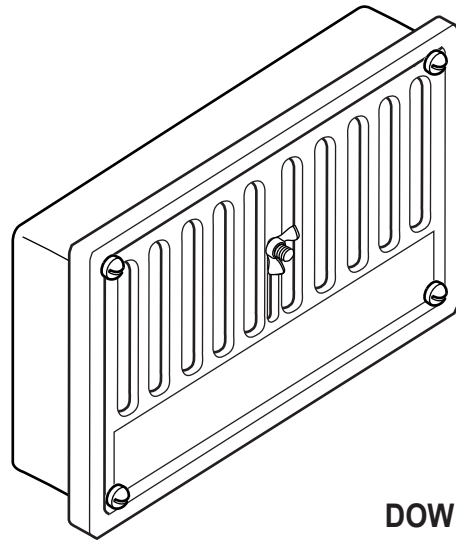


Function:

Heavy duty wall mounted overflow drain regulates water level. Excess water spills over adjustable weir. Single screw adjusts DEFO weir plate to desired level after installation.

Specification:

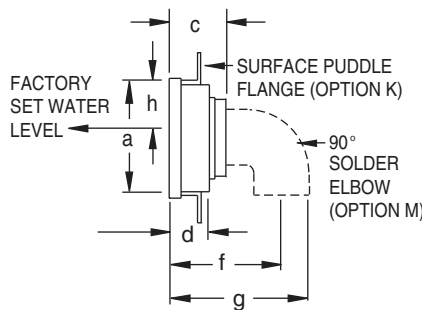
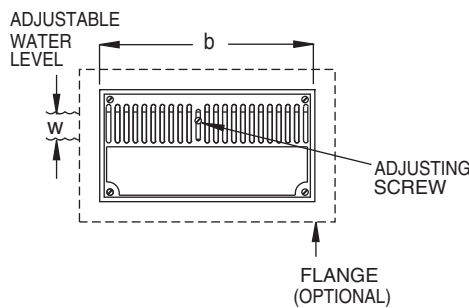
Construction of DEFO wall mounted and adjustable overflow drain body and grate shall be cast bronze with stainless steel DEFO adjustable weir plate, neoprene watertight gasket and stainless steel fasteners.



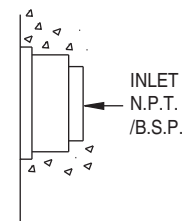
DOW

Options: (Add suffix)

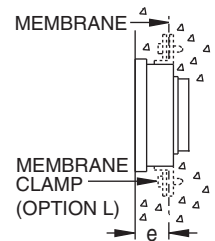
- E - open grate (no adjustment)
- K - surface flange
- L - membrane clamp
- M - 90°solder elbow
- Q - chrome plated
- W - winter cover



Surface Mounted Application



Flushwall Application



Membrane Application

Dimensions

DEFO no.	inlet (npt) (bsp)	a dim.	b dim.	c dim.	d dim.		e dim.		f dim.	g dim.	h dim.	w dim. max.
					min.	max.	min.	max.				
DOW300	3"	6 1/4"	12"	2 1/2"	1 1/4"	2"	1 1/4"	2"	4 3/4"	6 1/4"	2"	1 1/4"
DOW400	4"	6 1/4"	12"	2 1/2"	1 1/4"	2"	1 1/4"	2"	5 3/4"	7 1/4"	2"	1 1/4"