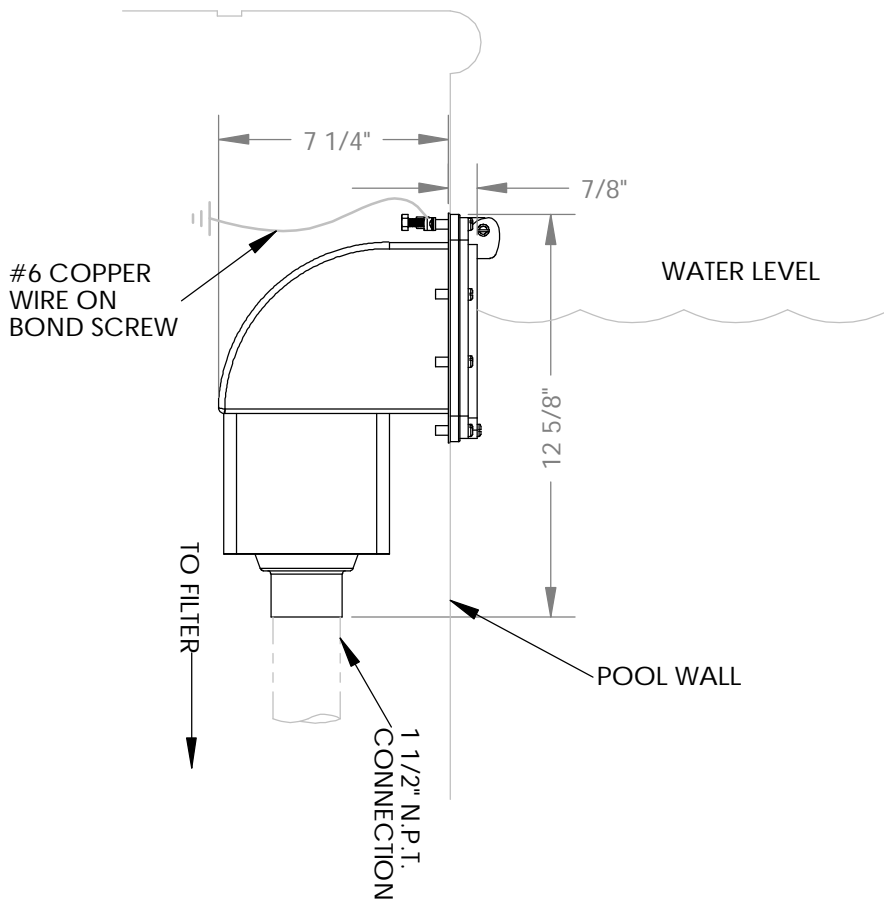
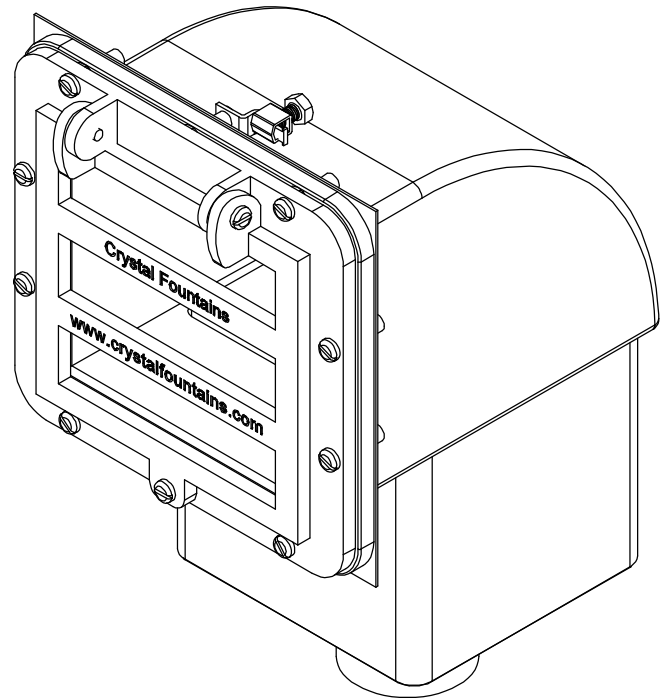


Function

Ideal for surface skimming of leaves and debris. Front access eases cleaning. Shallow depth allows thin wall installation. Equipped with Crystal Fountains hinged and secured face grill aids in the prevention of vandalism.

Specification

Crystal Fountains wall skimmer shall have extruded plastic body. Integral debris basket and floating weir system. Crystal Fountains face plate and hinged grill shall be cast bronze with stainless steel fasteners.



PROPRIETARY AND CONFIDENTIAL

THE INFORMATION CONTAINED IN THIS DRAWING IS THE SOLE PROPERTY OF CRYSTAL FOUNTAINS. ANY REPRODUCTION IN PART OR AS A WHOLE WITHOUT THE WRITTEN PERMISSION OF CRYSTAL FOUNTAINS IS PROHIBITED.

CUT SHEET
AWS150-D101

www.crystalfountains.com
Crystal Fountains
International Water Feature Specialists
TEL. (905) 660-6674 FAX. (905) 660-6916

1 1/2" WALL SKIMMER

ITEM NO.
AWS150

REV.
A
06Oct04